

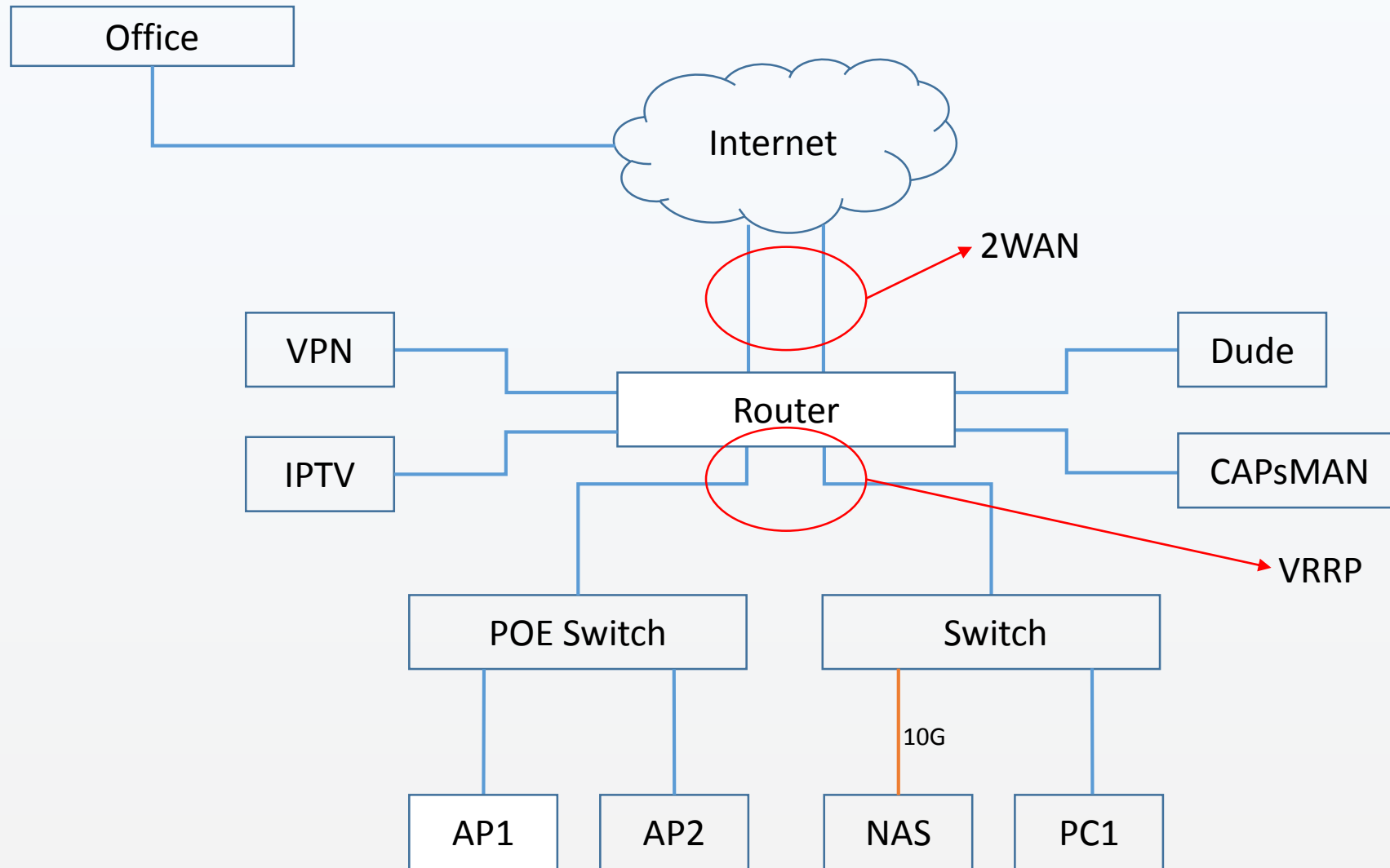


How to Useful Configurations for Mikrotik Power Users_(for 5-Ducks)

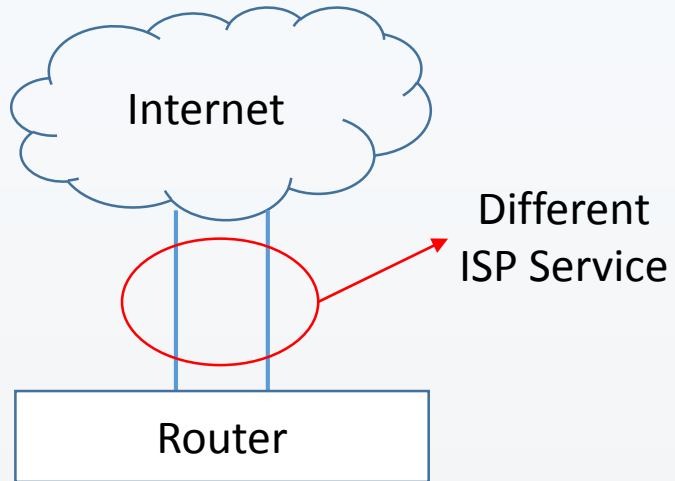
Presenter Yang Hui Jun



1. Sample Diagram



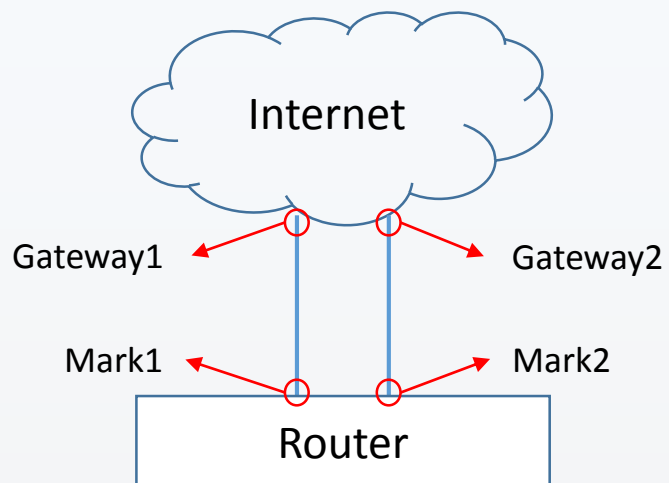
2. 2WAN(Multi WAN)



If you provide service two or many internet service for ISP.

You can be use services at **once**.

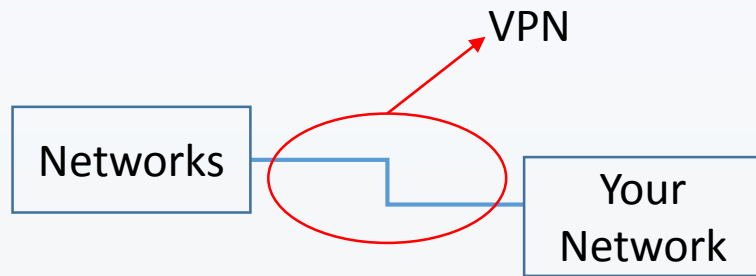
2. 2WAN(Multi WAN)



Setting Point

1. Firewall Mangle.
2. Mark Routing.
3. 2Gateway setting.

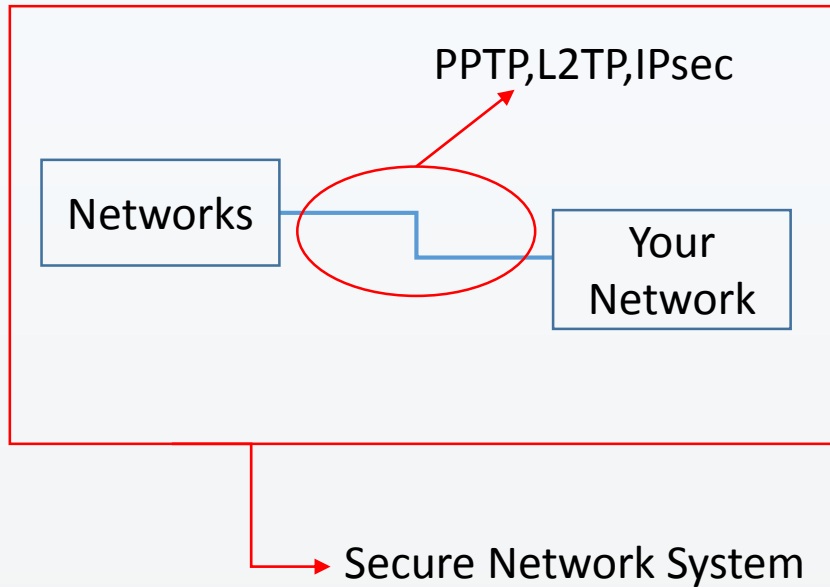
3. VPN



If you are using a secure network for data protection.

You will be able to solve these problem through the **VPN** service.

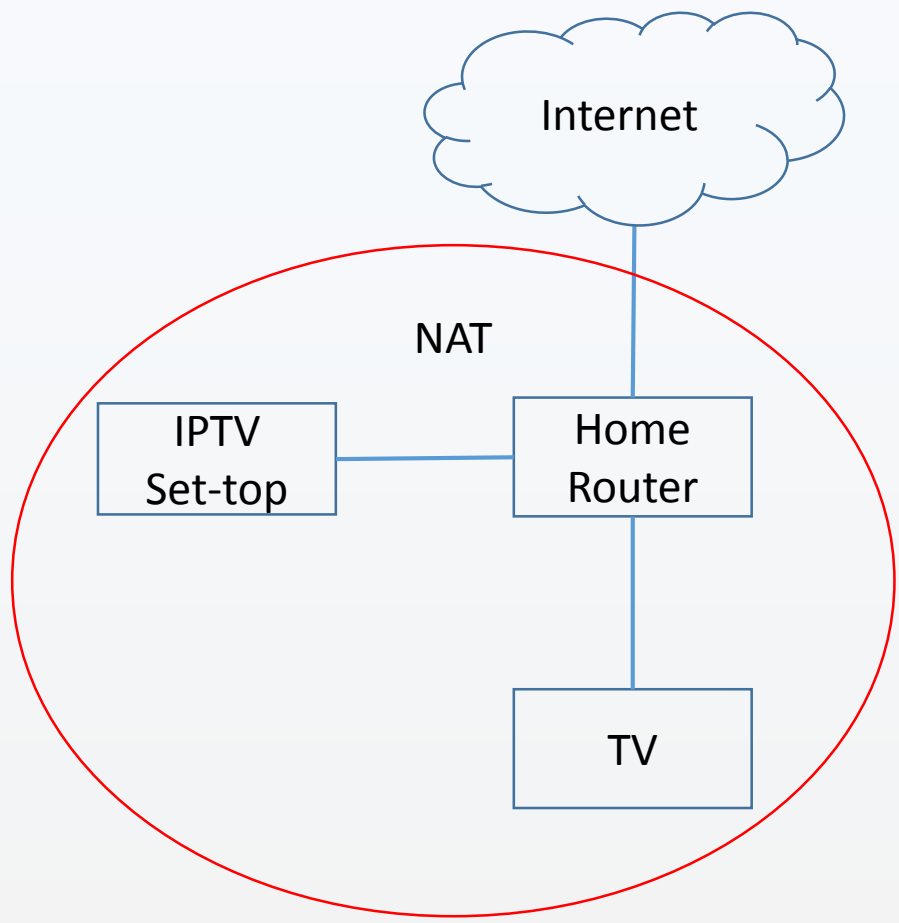
3. VPN



Setting Point

1. Common Setting:
PPP-> IP-Pool, Profile, Password
2. PPTP: No additional Settings.
3. L2TP: ipsec-secret, use-ipsec
4. IPsec: IP->IPsec
Proposals, Peers, ping to gateway.

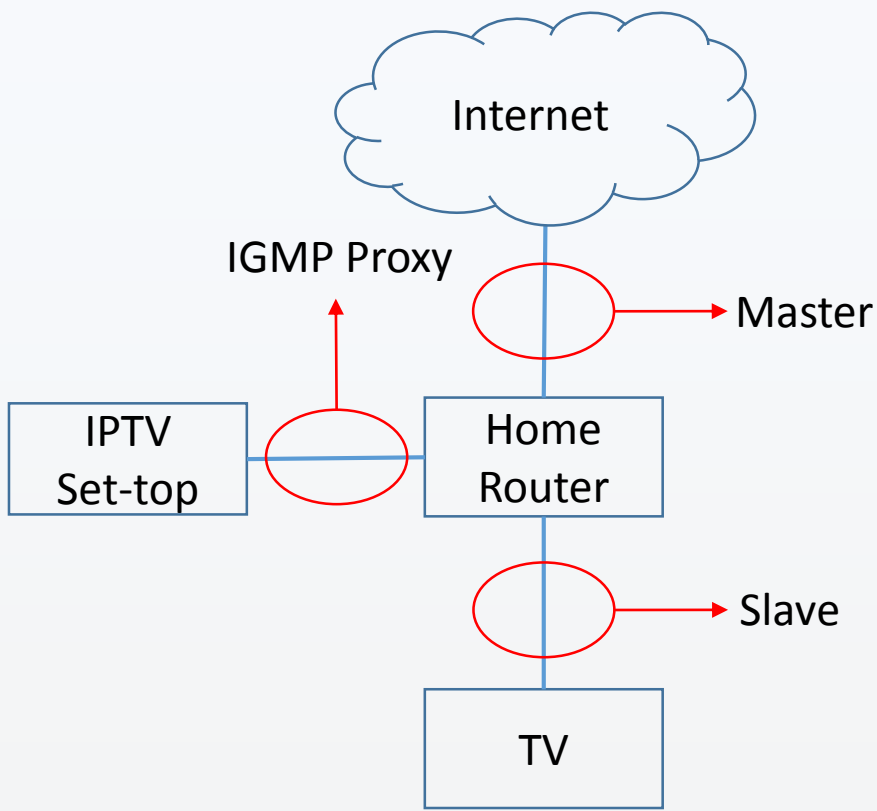
4. IPTV in NAT



If you want to watch IPTV on an internal network with NAT enabled.

You can do the following.

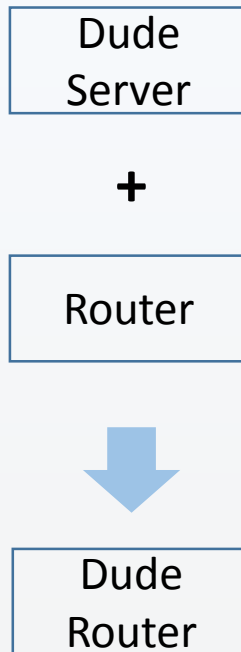
4. IPTV in NAT



Setting Point

1. Interface -> Master Port(WAN)
Slave Port(Local)
2. IGMP Proxy

5. Dude in Router

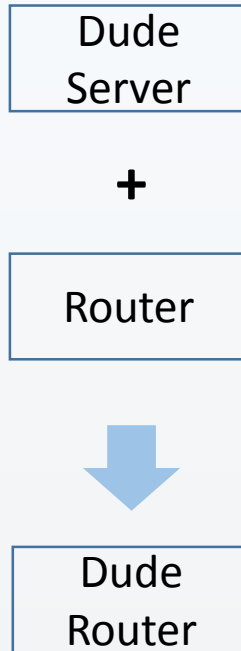


The existing Dude had to have a
Separate the Server.

But now it is now available on
the Router.

- It can be hEX, RB3011, CCR, x86, CHR, Series and 1100 Dude Edition.

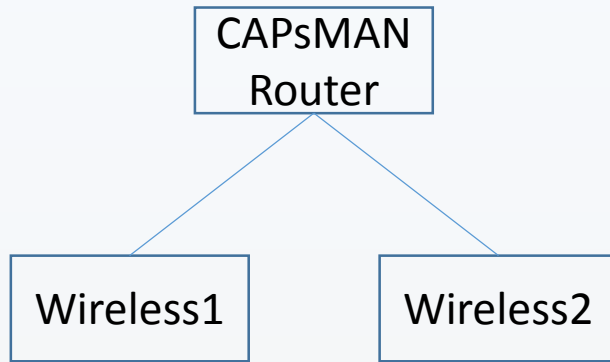
5. Dude in Router



Setting Point

1. Download MMIPS Architecture.
2. Package Upload.
3. (Optional) If you need lots of storage space for network management. it can be additional storage on your Device.

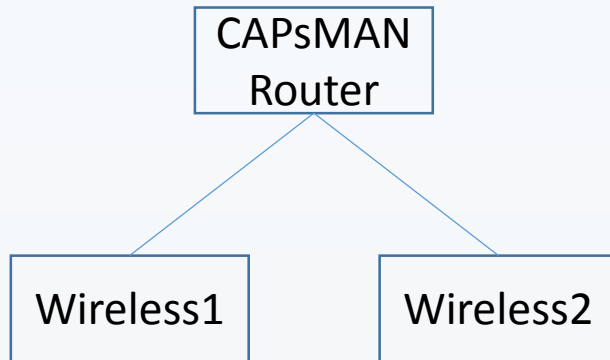
6. CAPsMAN



If you want to manage multiple wireless Networks and channels at once.

You can use the **CAPsMAN** function.

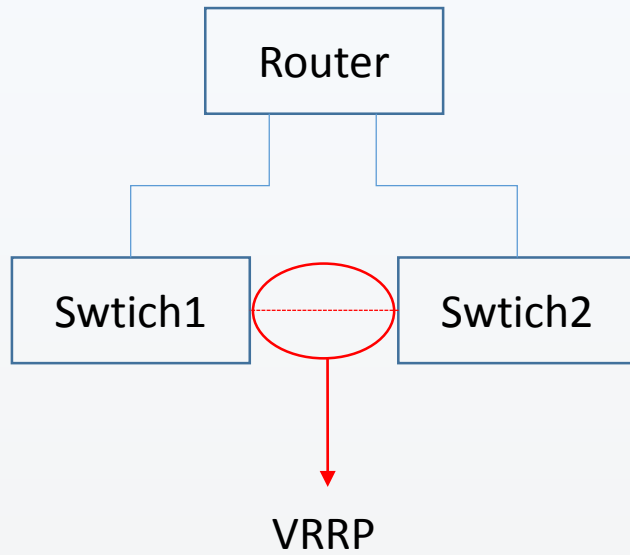
6. CAPsMAN



Setting Point

1. Download Wireless CM-2 Package.
2. Create Bridge and DHCP
3. Generate CA.
4. Exchange CA Key and Connection

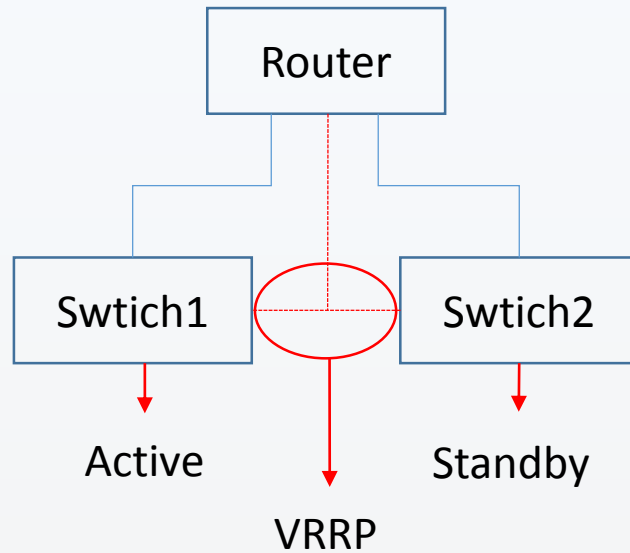
7. VRRP



If you are considering a redundancy configuration for network stabilization

You can use the **VRRP** function.

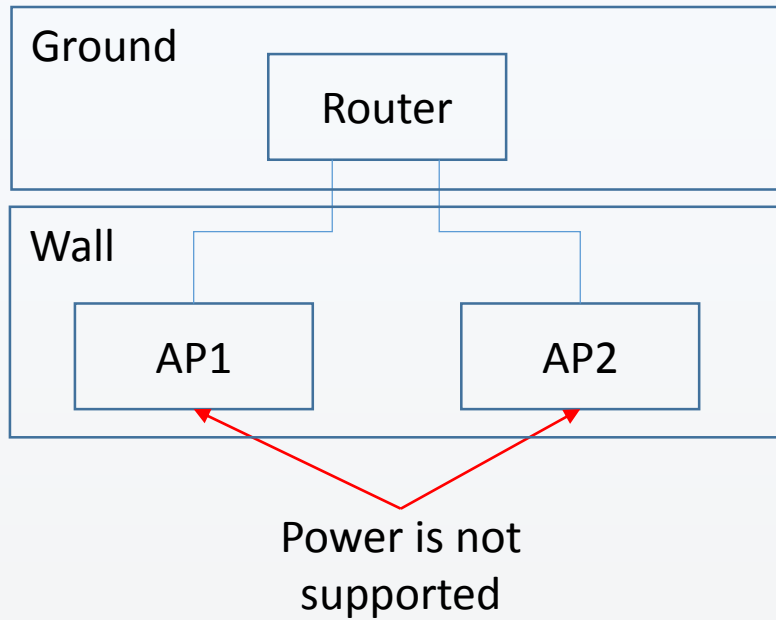
7. VRRP



Setting Point

1. Each setting same VRRP address and ID.
2. In the case of load sharing setting, VRRP address and ID are set twice, and the maximum value of the priority is different for each switch.

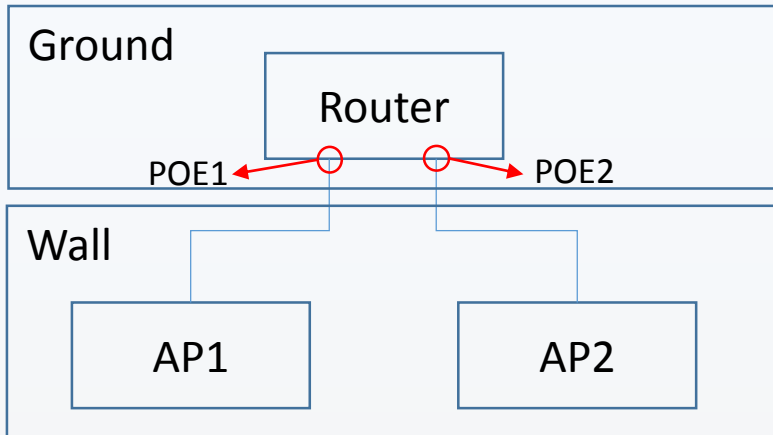
8. POE



If you want to install an AP in a situation where you can not power it on.

You can use **POE** to solve the problem.

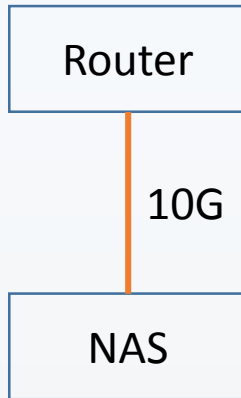
8. POE



Setting Point

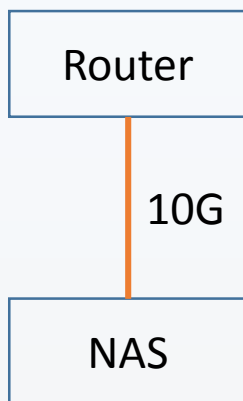
1. POE in Interface ethernet option.
 2. Ether1 is default POE.
- This feature is supported RB450,750 ,800 Series.

9. 10G NAS



If you want to improve **NAS performance**, we recommend router configuration using **10G**.

9. 10G NAS



Setting Point

1. 10G Supported NAS.
 2. 10G Supported Router.
- This feature is supported CCR and CRS 10G Series.

Q&A